

# SFP-B1245L-80

## Optical SFP Module

1.25Gbps SFP Transceiver Bi-Di TX1490/RX1550nm 80km LC



### Features

- Up to 1.25Gbps data links
- 1490nm DFP laser and PIN photo detector for 80km transmission
- Compliant with SFP MSA and SFF-8472 with single LC receptacle
- Digital Diagnostic Monitoring: Internal Calibration or External Calibration
- +3.3V single power supply
- Compatible with SONET
- Compatible with RoHS
- Operating case temperature:  
Standard : 0 to +70° C  
Industrial : -40 to +85° C

### Application

- SDH and SONET system
- Fiber Channel
- Switch to Switch interface
- Switched backplane applications
- Router/Server interface
- Other optical transmission systems

## Standard

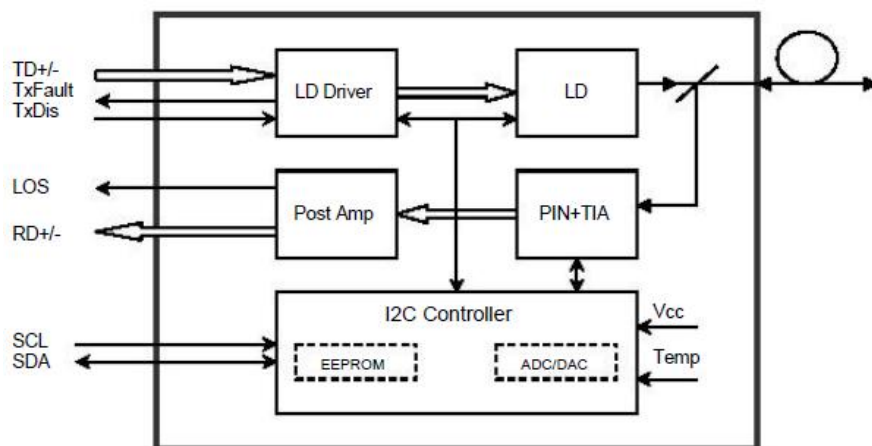
- Compliant with MSA SFP specification
- Compliant with IEC
- Compliant with IEEE 802.3z

## Description

The SFP transceivers are high performance, cost effective modules supporting dual data-rate of 1.25Gbps and 80km transmission distance with SMF.

The transceiver consists of three sections: a DFP laser transmitter, a PIN photodiode integrated with a trans-impedance preamplifier (TIA) and MCU control unit. All modules satisfy class I laser safety requirements.

The transceivers are compatible with SFP Multi-Source Agreement (MSA). For further information, please refer to SFP MSA.



## Absolute Maximum Ratings

| Parameter           | Symbol | Min  | Max | Unit |
|---------------------|--------|------|-----|------|
| Supply Voltage      | Vcc    | -0.5 | 4.5 | V    |
| Storage Temperature | Ts     | -40  | +85 | °C   |
| Operating Humidity  | -      | 5    | 85  | %    |

## Recommended Operating Conditions

| Parameter                  |            | Symbol          | Min  | Typical | Max  | Unit |
|----------------------------|------------|-----------------|------|---------|------|------|
| Operating Case Temperature | Standard   | T <sub>c</sub>  | 0    |         | +70  | °C   |
|                            | Industrial |                 | -40  |         | +85  | °C   |
| Power Supply Voltage       |            | V <sub>cc</sub> | 3.13 | 3.3     | 3.47 | V    |
| Power Supply Current       |            | I <sub>cc</sub> |      |         | 300  | mA   |
| Data Rate                  |            |                 |      | 1.25    |      | Gbps |

## Optical and Electrical Characteristics

| Parameter                      |         | Symbol           | Min  | Typical | Max             | Unit | Notes |
|--------------------------------|---------|------------------|------|---------|-----------------|------|-------|
| <b>Transmitter</b>             |         |                  |      |         |                 |      |       |
| Centre Wavelength              |         | λ <sub>c</sub>   | 1470 | 1490    | 1510            | nm   |       |
| Spectral Width (-20dB)         |         | Δλ               |      |         | 1               | nm   |       |
| Side-Mode Suppression Ratio    |         | SMSR             | 30   |         |                 | dB   |       |
| Average Output Power           |         | P <sub>out</sub> | 0    |         | +5              | dBm  | 1     |
| Extinction Ratio               |         | ER               | 9.0  |         |                 | dB   |       |
| Data Input Swing Differential  |         | V <sub>IN</sub>  | 180  |         | 1200            | mV   | 2     |
| Input Differential Impedance   |         | Z <sub>IN</sub>  | 90   | 100     | 110             | Ω    |       |
| TX Disable                     | Disable |                  | 2.0  |         | V <sub>cc</sub> | V    |       |
|                                | Enable  |                  | 0    |         | 0.8             | V    |       |
| TX Fault                       | Fault   |                  | 2.0  |         | V <sub>cc</sub> | V    |       |
|                                | Normal  |                  | 0    |         | 0.8             | V    |       |
| <b>Receiver</b>                |         |                  |      |         |                 |      |       |
| Centre Wavelength              |         | λ <sub>c</sub>   | 1530 | 1550    | 1570            | nm   |       |
| Receiver Sensitivity           |         |                  |      |         | -26             | dBm  | 3     |
| Receiver Overload              |         |                  | -1   |         |                 | dBm  | 3     |
| LOS De-Assert                  |         | LOS <sub>D</sub> |      |         | -27             | dBm  |       |
| LOS Assert                     |         | LOS <sub>A</sub> | -38  |         |                 | dBm  |       |
| LOS Hysteresis                 |         |                  | 0.5  |         | 4               | dB   |       |
| Data Output Swing Differential |         | V <sub>out</sub> | 600  | 800     | 1000            | mV   | 4     |
| LOS                            | High    |                  | 2.0  |         | V <sub>cc</sub> | V    |       |
|                                | Low     |                  |      |         | 0.8             | V    |       |

**Notes:**

1. The optical power is launched into SMF.
2. PECL input, internally AC-coupled and terminated.
3. Measured with a PRBS 2<sup>23</sup>-1 test pattern @1250Mbps, BER ≤1×10<sup>-12</sup>.
4. Internally AC-coupled.

**Timing and Electrical**

| Parameter                                       | Symbol         | Min | Typical | Max             | Unit |
|---|----------------|-----|---------|-----------------|------|
| Tx Disable Negate Time                          | t_on           |     |         | 1               | ms   |
| Tx Disable Assert Time                          | t_off          |     |         | 10              | µs   |
| Time To Initialize, including Reset of Tx Fault | t_init         |     |         | 300             | ms   |
| Tx Fault Assert Time                            | t_fault        |     |         | 100             | µs   |
| Tx Disable To Reset                             | t_reset        | 10  |         |                 | µs   |
| LOS Assert Time                                 | t_loss_on      |     |         | 100             | µs   |
| LOS De-assert Time                              | t_loss_off     |     |         | 100             | µs   |
| Serial ID Clock Rate                            | f_serial_clock |     | 100     | 400             | KHz  |
| MOD_DEF (0:2)-High                              | V <sub>H</sub> | 2   |         | V <sub>cc</sub> | V    |
| MOD_DEF (0:2)-Low                               | V <sub>L</sub> |     |         | 0.8             | V    |

**Diagnostics**

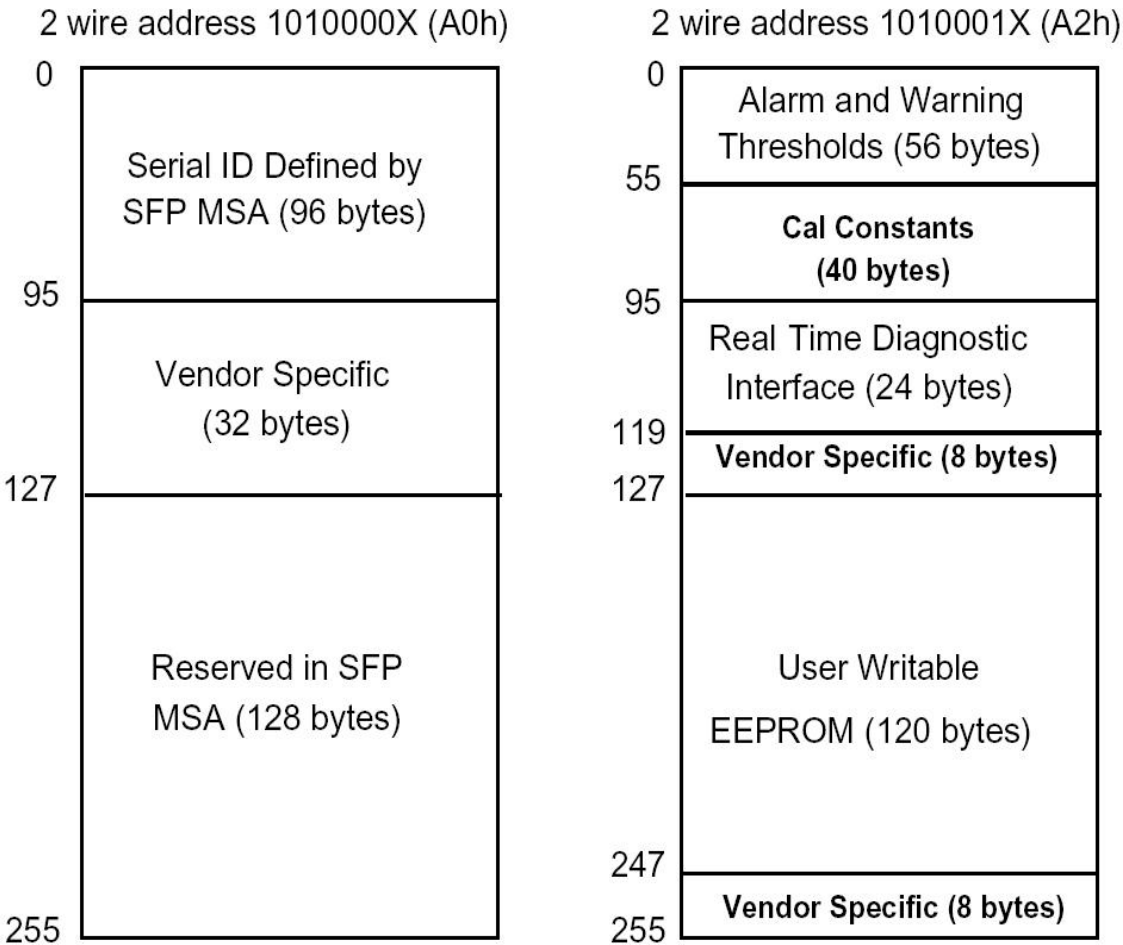
| Parameter    | Range      | Unit | Accuracy | Calibration         |
|--------------|------------|------|----------|---------------------|
| Temperature  | 0 to +70   | °C   | ±3°C     | Internal / External |
|              | -40 to +85 |      |          |                     |
| Voltage      | 3.0 to 3.6 | V    | ±3%      | Internal / External |
| Bias Current | 0 to 100   | mA   | ±10%     | Internal / External |
| TX Power     | 0 to +5    | dBm  | ±3dB     | Internal / External |
| RX Power     | -26 to -1  | dBm  | ±3dB     | Internal / External |

# Digital Diagnostic Memory Map

The transceivers provide serial ID memory contents and diagnostic information about the present operating conditions by the 2-wire serial interface (SCL, SDA).

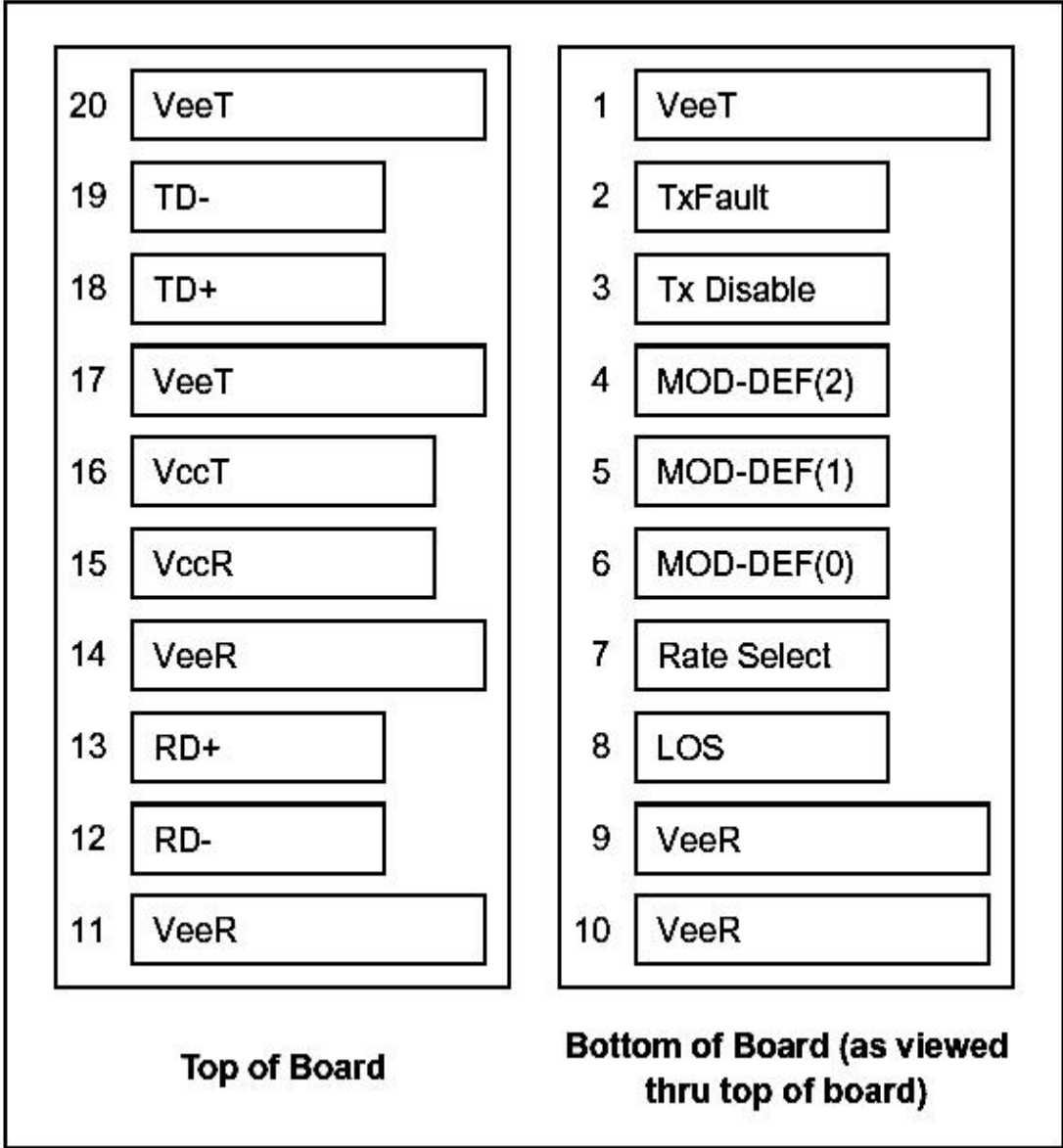
The diagnostic information with internal calibration or external calibration all are implemented, including received power monitoring, transmitted power monitoring, bias current monitoring, supply voltage monitoring and temperature monitoring.

The digital diagnostic memory map specific data field defines as following.



# Pin Definitions

Pin Diagram



## Pin Descriptions

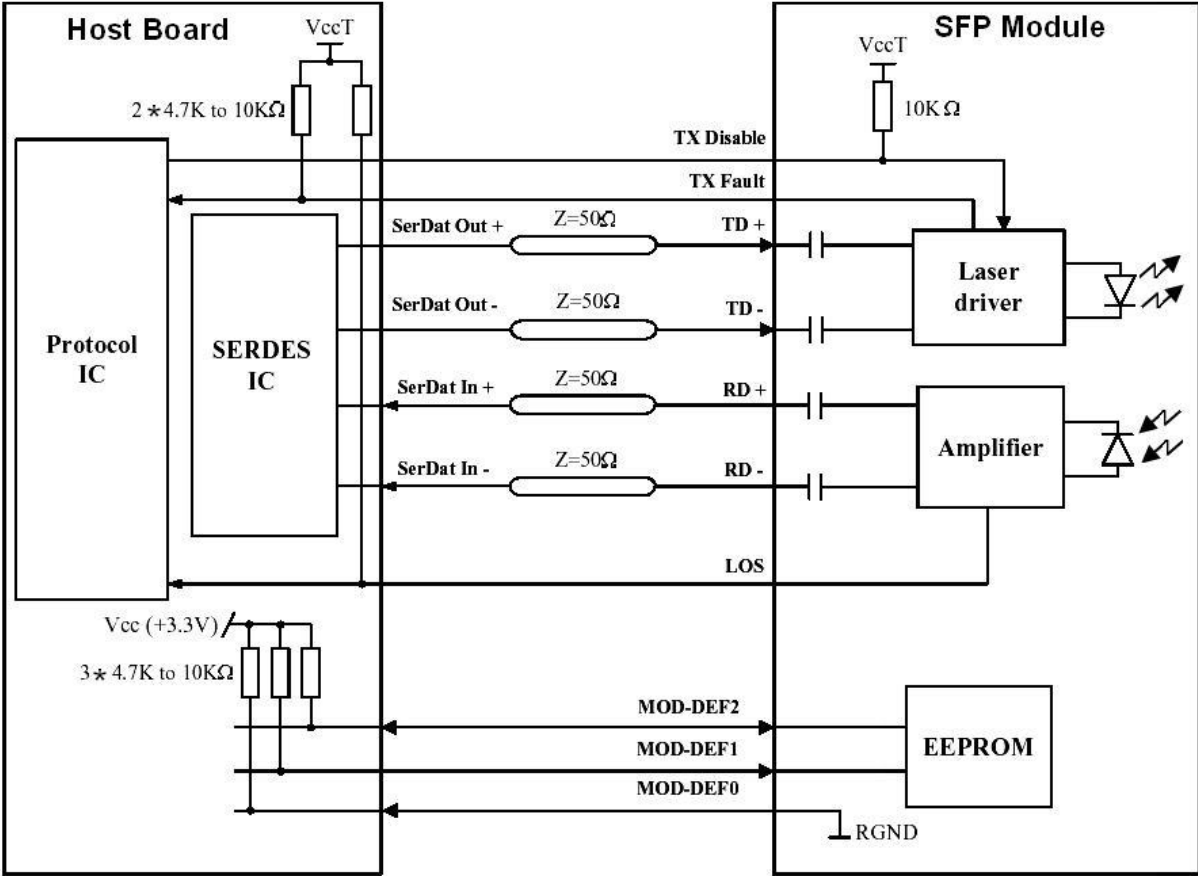
| Pin | Signal Name      | Description                               | Plug Seq. | Notes  |
|-----|------------------|---|-----------|--------|
| 1   | V <sub>EET</sub> | Transmitter Ground                        | 1         |        |
| 2   | TX FAULT         | Transmitter Fault Indication              | 3         | Note 1 |
| 3   | TX DISABLE       | Transmitter Disable                       | 3         | Note 2 |
| 4   | SDA              | SDA Serial Data Signal                    | 3         |        |
| 5   | SCL              | SCL Serial Clock Signal                   | 3         |        |
| 6   | MOD_ABS          | Module Absent. Grounded within the module | 3         |        |
| 7   | RS0              | Not Connected                             | 3         |        |
| 8   | LOS              | Loss of Signal                            | 3         | Note 3 |
| 9   | V <sub>EER</sub> | Receiver ground                           | 1         |        |
| 10  | V <sub>EER</sub> | Receiver ground                           | 1         |        |
| 11  | V <sub>EER</sub> | Receiver ground                           | 1         |        |
| 12  | RD-              | Inv. Received Data Out                    | 3         | Note 4 |
| 13  | RD+              | Received Data Out                         | 3         | Note 4 |
| 14  | V <sub>EER</sub> | Receiver ground                           | 1         |        |
| 15  | V <sub>CCR</sub> | Receiver Power Supply                     | 2         |        |
| 16  | V <sub>CCT</sub> | Transmitter Power Supply                  | 2         |        |
| 17  | V <sub>EET</sub> | Transmitter Ground                        | 1         |        |
| 18  | TD+              | Transmit Data In                          | 3         | Note 5 |
| 19  | TD-              | Inv. Transmit Data In                     | 3         | Note 5 |
| 20  | V <sub>EET</sub> | Transmitter Ground                        | 1         |        |

### Notes:

Plug Seq.: Pin engagement sequence during hot plugging.

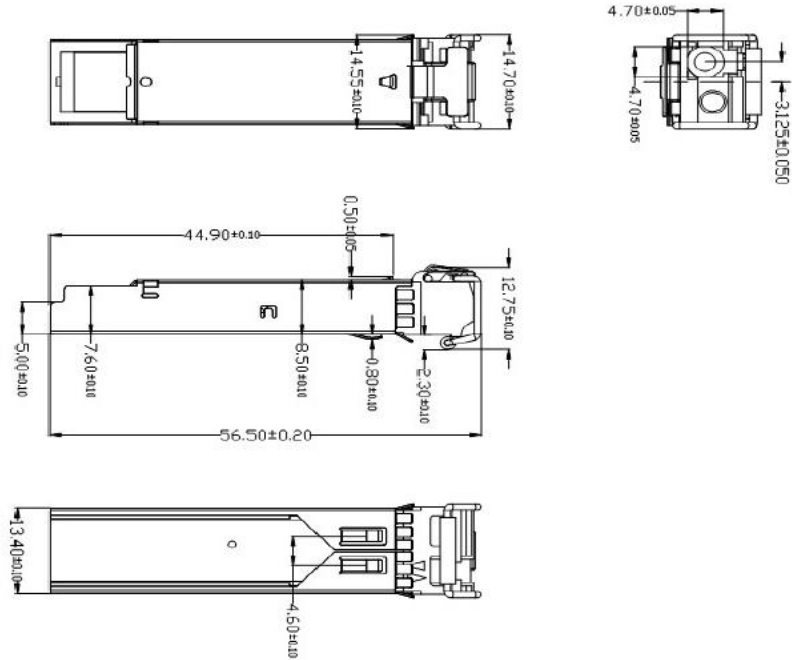
- 1) TX Fault is an open collector output, which should be pulled up with a 4.7k~10kΩ resistor on the host board to a voltage between 2.0V and V<sub>cc</sub>+0.3V. Logic 0 indicates normal operation; Logic 1 indicates a laser fault of some kind. In the low state, the output will be pulled to less than 0.8V.
- 2) Laser output disabled on TDIS >2.0V or open, enabled on TDIS <0.8V.
- 3) LOS is open collector output. Should be pulled up with 4.7k~10kΩ on host board to a voltage between 2.0V and 3.6V. Logic 0 indicates normal operation; logic 1 indicates loss of signal.
- 4) RD-/+ : These are the differential receiver outputs. They are internally AC-coupled 100 differential lines which should be terminated with 100Ω (differential) at the user SERDES.
- 5) TD-/+ : These are the differential transmitter inputs. They are internally AC-coupled, differential lines with 100Ω differential termination inside the module.

# Recommended Interface Circuit





## Mechanical Dimensions



## Ordering information

| Model No.      | Product Description  |
|----------------|--|
| SFP-B1245L-80  | 1.25Gbps, TX1490nm/RX1550nm, LC, 80km, 0°C ~ +70°C, with DDM   |
| SFP-B1245L-80I | 1.25Gbps, TX1490nm/RX1550nm, LC, 80km, -40°C ~ +85°C, with DDM |



For further information, please visit our website <https://www.aotech.com>

All rights are reserved by AOA Technology Co.,Ltd. AOA reserves the right to change, modify, transfer, or otherwise revise this publication without notice, and the most current version of the publication shall be applicable.