

IES3204-SFP

Industrial Ethernet Switch

4x10/100/1000Base-TX to 2x1000Base-FX



Overview

The IES3204-SFP is a high performance and cost-effective industrial unmanaged switch that meets the high reliability requirements of industrial network operations. It is designed to extend the distance of network by converting Gigabit Ethernet data between twisted pair cabling and multi-mode or single-mode fiber-optic cabling.

The IES3204-SFP features 2 x 1000Base-X SFP Slot and 4 x 10/100/1000Base-T twisted-pair port. The SFP slot port for any kind of MSA-compliant pluggable 1.25G SFP Transceivers. The twisted-pair port has 4 x RJ-45 connector with a maximum operating distance of 100m.

The IES3204-SFP Industrial Gigabit Ethernet Switch is designed to stand up to extreme temperatures, surges, vibrations, and shocks found in industrial automation, government, military, oil & gas, mining, and outdoor applications, such as traffic management, oil, and gas pipelines.

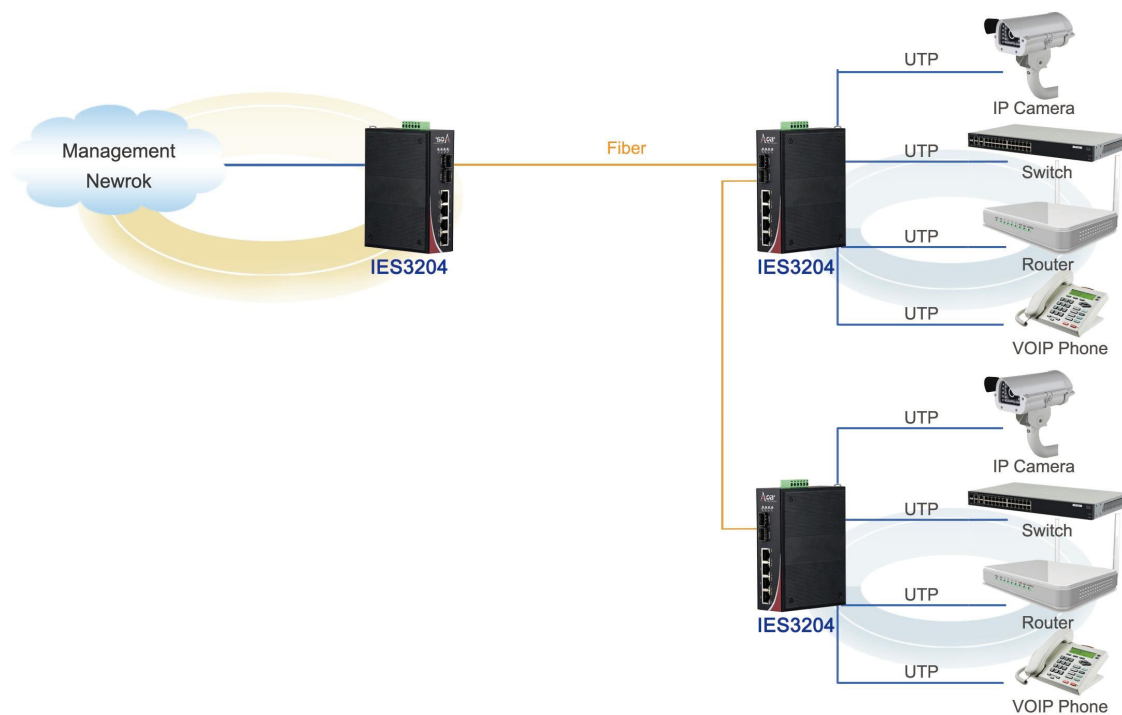
The IES3204-SFP series enables real-time deterministic network operation, requires no configuration, and will instantly operate as soon as you power it up. Additionally, they can be installed by DIN-rail or wall-mounted, allowing users to deploy any mix of network conversions required.

Features

- Provide 4 x 10/100/1000Base-T
- 2 x 1000Base-X SFP Slot for Daisy-Chain
- RJ45 supports auto MDI/MDI-X function
- Auto-negotiation speed, half/full-duplex
- Store-and-forward
- Max packet size: 10K bytes
- Support VLAN (Controlled by DIP Switch)
- Support Force 10M-150 meters (Controlled by DIP Switch)
- Support 1+1 Fiber (Controlled by DIP Switch)

- Support wide operating temperature (-40 °C ~ +85 °C)
- Wide-range redundant power design (12~56VDC)
- Power polarity reverse protect
- Overload current resettable fuse present
- IP-40 protection
- Provides EFT protection for Power line
- Support Ethernet ESD protection
- DIN-Rail and Wall-Mounted Installation
- Low power consumption

Applications



Technical Specifications

Standards	IEEE802.3 10Base-T IEEE802.3u 100Base-TX IEEE802.3ab 1000Base-T IEEE802.3z 1000Base-SX/LX standards IEEE802.3x Flow control and back pressure IEEE802.1d Spanning Tree
Performance	Processing Type: Store and Forward Back Bandwidth: 12Gbps MAC Address Size: 1Kbit Packet Buffer Size: 1Mbit Time Delay: <10us Frame: 10Kbytes
Copper Port	Data Rate: 10/100/1000M Connector: RJ45 x 4 Distance: 100m
Fiber Port	Data Rate: 1.25G Connector: SFP slot x 2 Distance: Up to SFP Transceivers
LED indicators	PWR1: ON=Power Connected PWR2: ON= Power Connected FL/A: ON=Fiber Connected; Active=Data Transmitting L/A: ON=Copper Connected; Active= Data Transmitting 1000M: ON=1000M; OFF=10/100M
Power	Input Voltage: 12~56 VDC, redundant power inputs Power Consumption: ≤7W Protection: Overload Current; Reverse Polarity Connector: Terminal Block
Environment	Operating Temperature: -40 °C ~ +85 °C Storage Temperature: -40 °C ~ +95 °C Relative Humidity: 5-95% (no condensation)
Physical Characteristics	Housing: IP40 Protection, Aluminum Alloy Installation: DIN-rail mounting, wall mounting(with optional kit) Dimension: 138*107*45mm(device); 220*175*73mm(packing) Weight: 0.48kg(device); 0.63kg(device with packing)

Order Information

Model	Description
IES3204-SFP	10/100/1000M 2GX4GE, SFP Slot
Note: AC/DC power supply purchased separately	

Related Products

Model	Description
DIN-rail Power supply	
HDR-15-24	DIN-rail 15W, 85~264Vac input, 24V0.63A output
SFP Module	
SFP-M1285L-05I	1.25G MM 850nm LC 550m DDM, Industrial Grade
SFP-M1213L-02I	1.25G MM 1310nm LC 2km DDM, Industrial Grade
SFP-S1213L-20I	1.25G SM 1310nm LC 20km DDM, Industrial Grade
SFP-B1235L-20I	1.25G SM TX1310/RX1550nm LC 20km DDM, Industrial Grade
SFP-B1253L-20I	1.25G SM TX1550/RX1310nm LC 20km DDM, Industrial Grade
Long distance 40/60/80/100/120km is available	
Installation Accessories	
TK12	Wall-mounted kits, 118*18*16mm, ϕ 3.5mm L=12mm
A02	Side DIN-rail mounted kits, 72.7*70*8.5mm, ϕ 3.5mm L=6mm
CK01	Rack-mounted bracket with Din-rail, 483*215*130mm



TK12 Wall-mounted kits

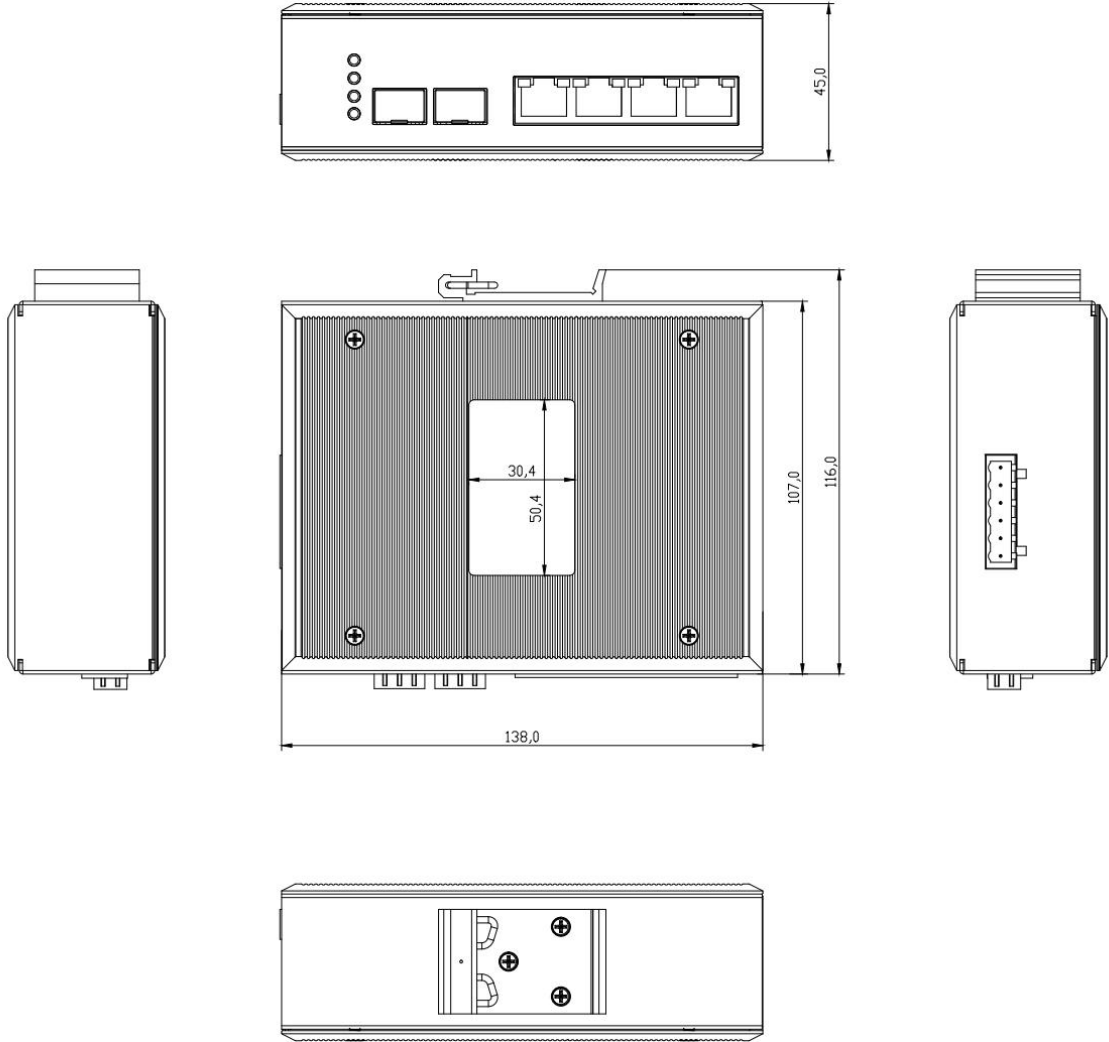


A02 Side DIN rail mounted kits



CK01 Rack-mounted bracket

Structure diagram (mm)



For further information, please visit our website <https://www.aoatech.com>
All rights are reserved by AOA Technology Co.,Ltd. AOA reserves the right to change, modify, transfer, or otherwise revise this publication without notice, and the most current version of the publication shall be applicable.