

J599

Outdoor Fiber Optic Patch Cord

J599 ruggedized fiber Connector



Overview

The J599 outdoor waterproof fiber optic connector features three threaded quick connections and is designed with five keys for positioning, including blind-mating, anti-corrosion, and anti-vibration functions. It is constructed from 316L stainless steel, which can be adapted to various harsh environments. Pre-terminated free-fusing armored fiber optic cables offer plug-and-play custom fiber solutions for seamless installation.

Features

- Comply with J599A (MIL-DTL-38999)III standard
- Square plate and nut fastening socket optional
- Out-shell material, size, color support customized
- J599 to J599/FC/ST/SC/LC jumper cable available
- Five-button positioning for blind insertion and wrongly plugging can be avoided
- ceramic pins and ceramic sleeves to achieve precise optical fiber docking

Application

- WiMAX and LTE Base Stations
- Remote Radio Heads (RRH)
- Industrial outdoor applications
- Power Systems
- Mining
- Airborne communication
- Marine telecommunication

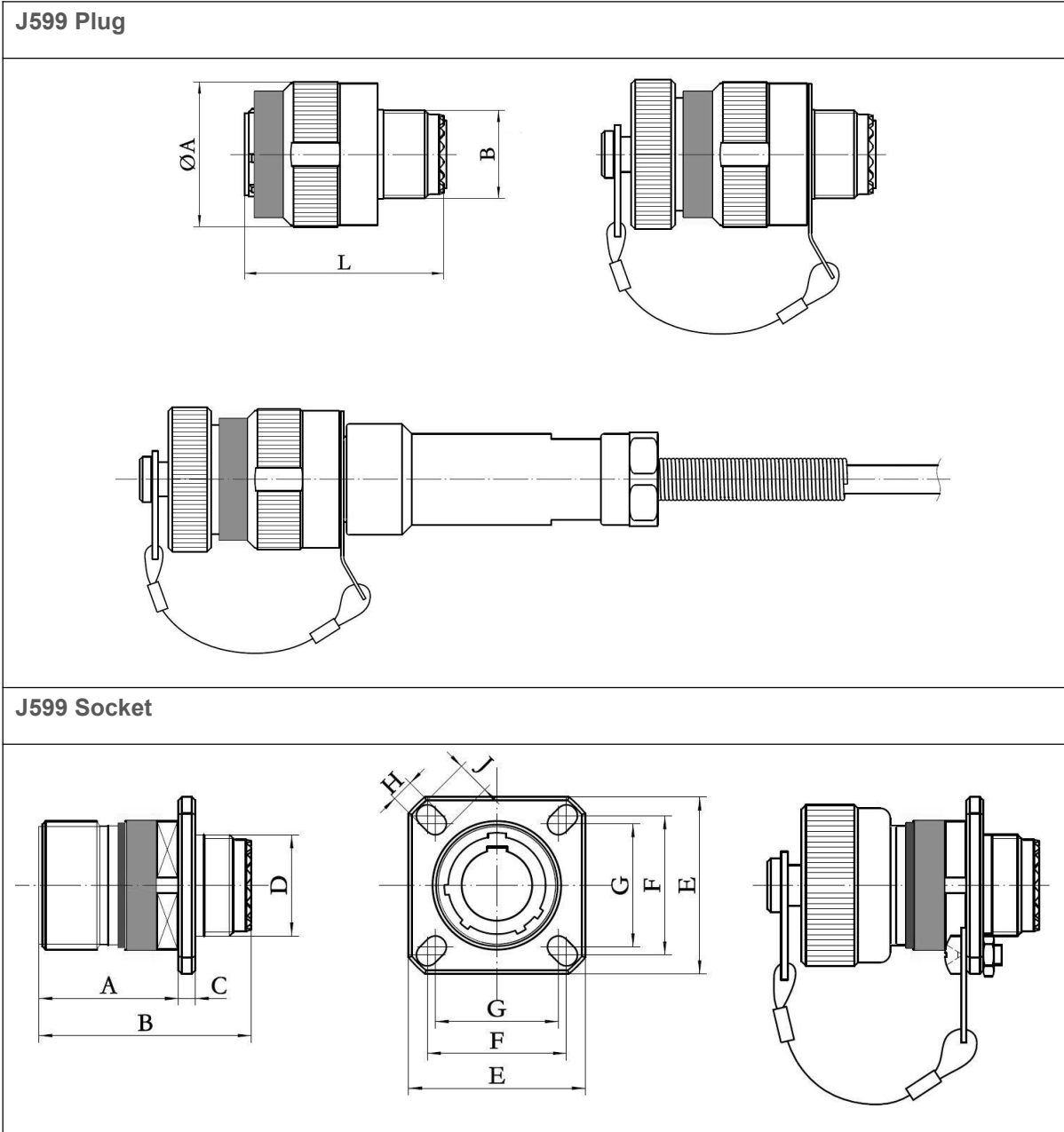
Technical Specifications

Parameter	Specifications
Insertion Loss	SM: $\leq 1.0\text{dB}$ MM: $\leq 0.6\text{dB}$
Return Loss	SM: $\geq 50\text{dB}$
Insulation Resistance	500VDC $\geq 5000\text{M}\Omega$ (normal environment)
Contact Resistance	$\leq 10\text{m}\Omega$
Mechanical Behavior	Plug: $\leq 500\text{N}$ (Main cable) Socket: $\leq 30\text{N}$ (Branch cable)

Connector Type



Structure diagram



For further information, please visit our website <https://www.aoatech.com>

All rights are reserved by AOA Technology Co.,Ltd. AOA reserves the right to change, modify, transfer, or otherwise revise this publication without notice, and the most current version of the publication shall be applicable.