

JYS

Outdoor Fiber Optic Patch Cord

JYS ruggedized fiber Connector



Overview

JYS series miniaturized fiber optic connector adopts $\Phi 1.25\text{mm}$ standard ceramic ferrule, snap type locking connection, miniaturized metal shell, and can connect two or four optical fibers at the same time. The JYS optical connector is mainly used to replace FC, LC, and other civilian connectors.

Features

- Three-key positioning with blind insertion and anti-misplacement function
- Quick bayonet connection
- Outer shell can be selected from different materials and plating suitable for
- Ceramic pin and ceramic sleeve for centering and positioning, PC grinding.

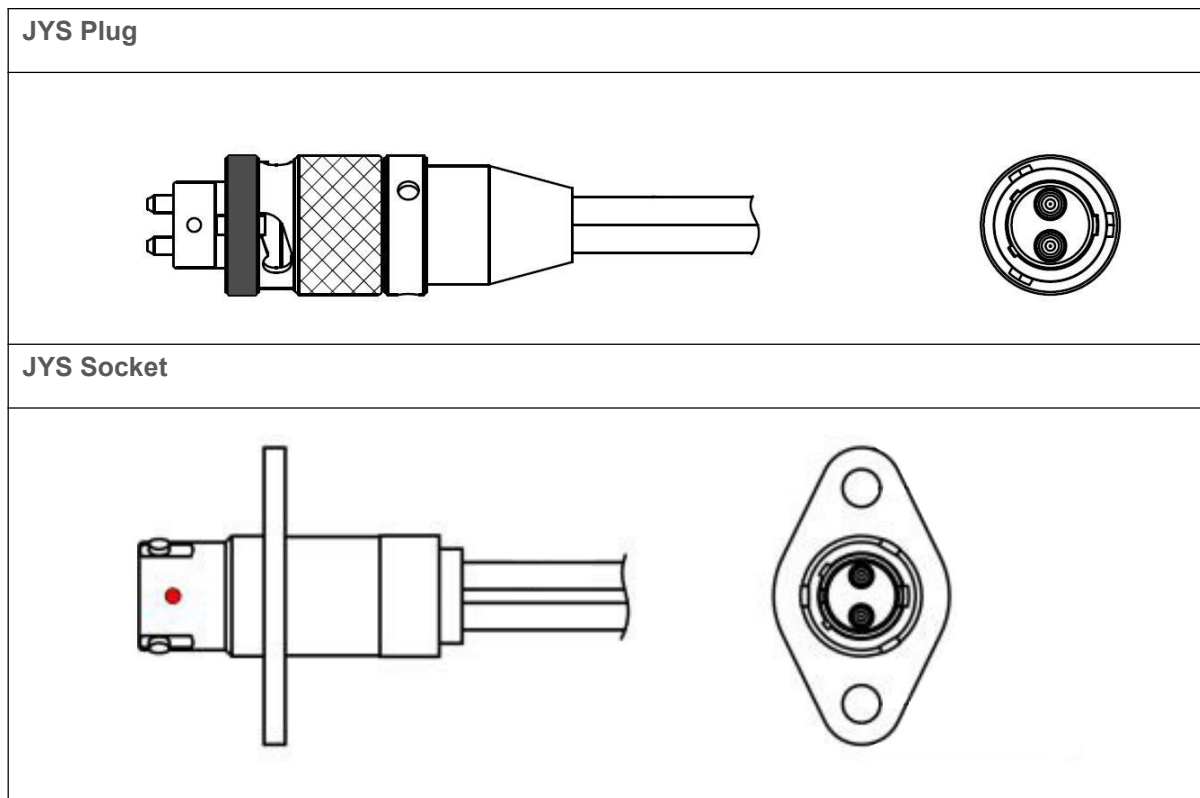
Application

- Industrial outdoor applications
- Power Systems
- Airborne communication
- Marine telecommunication

Technical Specifications

Parameter	Specifications
Insertion Loss	SM: $\leq 0.6\text{dB}$ MM: $\leq 0.5\text{dB}$
Return Loss	SM: $\geq 50\text{dB}$
Insulation Resistance	500VDC $\geq 5000\text{M}\Omega$ (normal environment)
Mechanical Behavior	Plug pull $\geq 500\text{N}$ Socket pull $\geq 30\text{N}$
Mechanical life	1000 times
Protection level	IP68
Operating temperature	$-45^{\circ}\text{C} \sim 85^{\circ}\text{C}$

Structure diagram



For further information, please visit our website <https://www.aoatech.com>

All rights are reserved by AOA Technology Co.,Ltd. AOA reserves the right to change, modify, transfer, or otherwise revise this publication without notice, and the most current version of the publication shall be applicable.